

# AIR CYLINDER

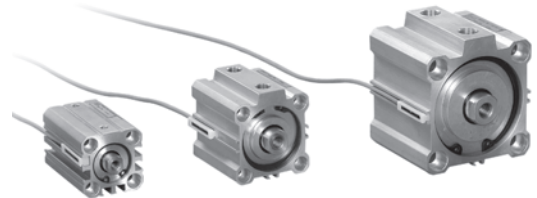
## Series A03

Cat No A03 - 01 - 03 - B

### COMPACT CYLINDERS MAGNETIC Double Acting ( Ø12 - 100 mm )

#### Features

- Compact, light weight, and space saving design
- Large clamping force in relation to their size
- Low friction, long life seal design
- Elastomer end cushion



#### Application

These compact cylinders are widely used in low cost automation, SPMs, industrial machinery, Jigs & fixtures etc.

#### Technical Specifications

Cylinder bore Ø (mm)	12	16	20	25	32	40	50	63	80	100
Standard strokes* (mm)	5, 10, 15, 20, 25, 30, 40		5, 10, 15, 20, 25, 30, 40, 50		5, 10, 15, 20, 25, 30, 40, 50, 60		10, 20, 30, 40, 50, 60, 70, 80			
Medium	Compressed air - Filtered - Lubricated									
Working pressure range	0.5 - 10 bar									
Ambient temperature	-10° to +60° C									
Medium temperature	+5° to +50° C									

\* For Non standard or longer stroke cylinders, contact your regional dealer or **JANATICS**

#### Output force ( force in N : 1N = 0.1 kgf )

Cylinder bore Ø (in mm)	Rod Ø (in mm)		Working pressure in bar								
			2	3	4	5	6	7	8	9	10
12	6	Extend	20	30	40	50	60	70	80	90	100
		Retract	15	22	30	38	46	53	61	68	76
16	8	Extend	36	54	72	90	108	126	144	162	180
		Retract	27	40	54	67	81	95	108	122	135
20	10	Extend	56	84	112	140	169	196	224	254	282
		Retract	42	63	84	106	127	148	169	190	212
25	12	Extend	88	132	176	220	264	308	352	396	440
		Retract	68	102	136	170	204	238	272	306	340
32	16	Extend	145	217	289	362	434	507	579	651	724
		Retract	108	162	217	271	325	380	434	488	542
40	16	Extend	226	339	452	565	678	792	905	1018	1130
		Retract	190	285	380	475	570	665	760	855	950
50	20	Extend	353	530	706	884	1060	1237	1414	1590	1767
		Retract	297	445	594	742	890	1039	1187	1336	1484
63	20	Extend	561	842	1122	1403	1683	1964	2244	2525	2805
		Retract	505	757	1009	1261	1514	1766	2018	2270	2523
80	25	Extend	905	1357	1809	2262	2714	3167	3619	4072	4524
		Retract	816	1225	1633	2041	2449	2857	3266	3674	4082
100	30	Extend	1414	2120	2827	3534	4241	4948	5655	6362	7068
		Retract	1287	1929	2573	3216	3859	4502	5145	5789	6432

( Above values have been worked out taking frictional loss into consideration )

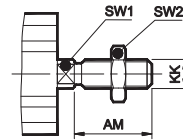
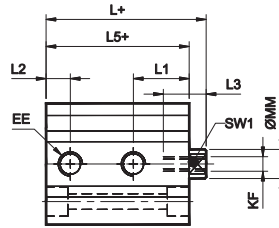
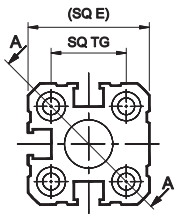
# AIR CYLINDER

## Series A03

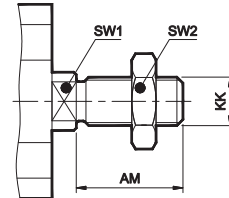
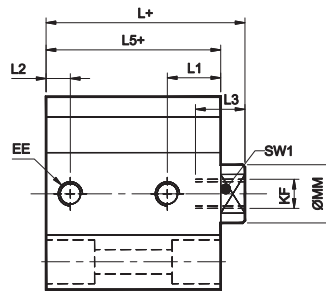
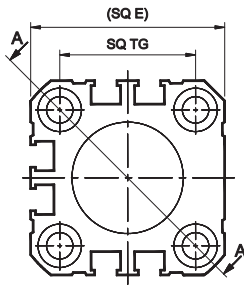
Cat No A03 - 01 - 03 - B

### Basic cylinder

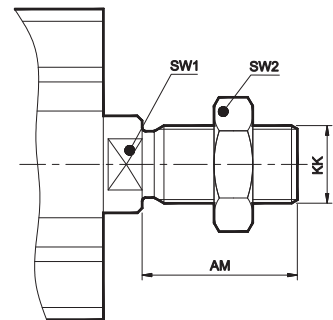
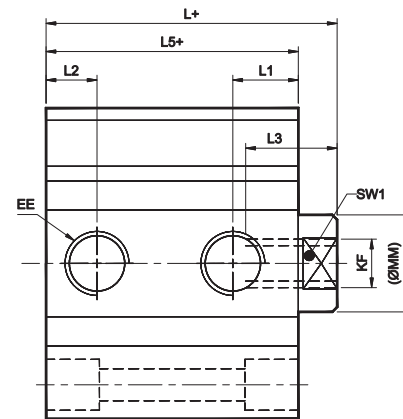
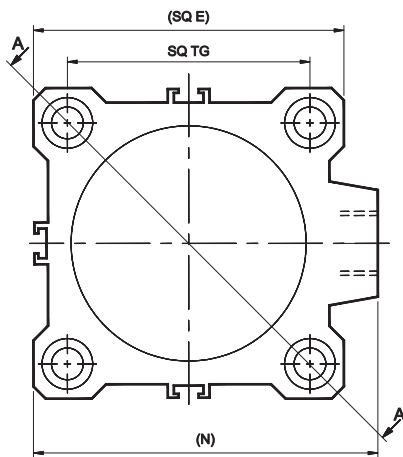
Sizes - Ø12, Ø16



Sizes - Ø20, Ø25



Sizes - Ø32, Ø40, Ø50, Ø63, Ø80, Ø100



### Section AA

+ Add stroke

Model 0	Model 1	Model 2
Counter bore and through hole on both sides	Counter bore and thread on both sides	Thread on both sides

# AIR CYLINDER

## Series A03

Cat No A03 - 01 - 03 - B

### Model O - Counter bore and through hole on both sides

+ Add stroke

Product No.	Cylinder bore Ø	KF	MM	L3	d1	d2	L4	SW1	L1	L2	EE	TG	E	N	L5	L	KK	AM	SW2
A03012000O	12	M3 x 0.5	6	6	3.5	6	5.5	5	11.5	5	M5 x 0.8	15.5	25	-	33.5	37	M6 x 1	16	10
A03016000O	16	M4 x 0.7	8	8	3.5	6	5.5	6	11	5.5	M5 x 0.8	20	29	-	34.5	38	M8 x 1.25	20	13
A03020000O	20	M5 x 0.8	10	8	5.5	9	9.5	8	11.5	5	M5 x 0.8	25.5	36	-	36.5	40	M10 x 1.25	22	17
A03025000O	25	M6 x 1	12	12	5.5	9	9.5	10	11	5	M5 x 0.8	28	40	-	39	44	M10 x 1.25	22	17
A03032000O	32	M8 x 1.25	16	13	5.5	9	9.5	14	12.5	8	G1/8	34	45	49.5	46	53	M12 x 1.25	24	19
A03040000O	40	M8 x 1.25	16	13	5.5	9	9.5	14	11.5	8	G1/8	40	52	57	41.5	48.5	M12 x 1.25	24	19
A03050000O	50	M10 x 1.5	20	15	6.6	10.5	11	17	14	10.5	G1/4	50	64	71	47	55	M16 x 1.5	32	24
A03063000O	63	M10 x 1.5	20	15	9	13.5	11	17	14	10.5	G1/4	60	77	84	48	56	M16 x 1.5	32	24
A03080000O	80	M16 x 2	25	21	11	16.5	14.5	22	18.5	12.5	G3/8	77	98	104	58.5	68.5	M20 x 1.5	40	30
A03100000O	100	M20 x 2.5	30	27	11	16.5	14.5	27	21	12.5	G3/8	94	117	123.5	62.5	73.5	M20 x 1.5	40	30

### Model 1 - Counter bore and thread on both sides

+ Add stroke

Product No.	Cylinder bore Ø	KF	MM	L3	d1	d2	L4	SW1	L1	L2	EE	TG	E	N	L5	L6	L	KK	AM	SW2	T2
A030120001	12	M3 x 0.5	6	6	3.5	6	5.5	5	11.5	5	M5 x 0.8	15.5	25	-	33.5	8	37	M6 x 1	16	10	M4x0.7
A030160001	16	M4 x 0.7	8	8	3.5	6	5.5	6	11	5.5	M5 x 0.8	20	29	-	34.5	8	38	M8 x 1.25	20	13	M4x0.7
A030200001	20	M5 x 0.8	10	8	5.5	9	9.5	8	11.5	5	M5 x 0.8	25.5	36	-	36.5	10	40	M10 x 1.25	22	17	M6x1
A030250001	25	M6 x 1	12	12	5.5	9	9.5	10	11	5	M5 x 0.8	28	40	-	39	10	44	M10 x 1.25	22	17	M6x1
A030320001	32	M8 x 1.25	16	13	5.5	9	9.5	14	12.5	8	G1/8	34	45	49.5	46	10	53	M12 x 1.25	24	19	M6x1
A030400001	40	M8 x 1.25	16	13	5.5	9	9.5	14	11.5	8	G1/8	40	52	57	41.5	10	48.5	M12 x 1.25	24	19	M6x1
A030500001	50	M10 x 1.5	20	15	6.6	10.5	11	17	14	10.5	G1/4	50	64	71	47	13	55	M16 x 1.5	32	24	M8x1.25
A030630001	63	M10 x 1.5	20	15	9	13.5	11	17	14	10.5	G1/4	60	77	84	48	16	56	M16 x 1.5	32	24	M10x1.5
A030800001	80	M16 x 2	25	21	11	16.5	14.5	22	18.5	12.5	G3/8	77	98	104	58.5	19	68.5	M20 x 1.5	40	30	M12x1.75
A031000001	100	M20 x 2.5	30	27	11	16.5	14.5	27	21	12.5	G3/8	94	117	123.5	62.5	19	73.5	M20 x 1.5	40	30	M12x1.75

### Model 2 - Thread on both sides

+ Add stroke

Product No.	Cylinder bore Ø	KF	MM	L3	d1	SW1	L1	L2	EE	TG	E	N	L5	L6	L	KK	AM	SW2	T2
A030120002	12	M3 x 0.5	6	6	3.5	5	11.5	5	M5 x 0.8	15.5	25	-	33.5	8	37	M6 x 1	16	10	M4x0.7
A030160002	16	M4 x 0.7	8	8	3.5	6	11	5.5	M5 x 0.8	20	29	-	34.5	8	38	M8 x 1.25	20	13	M4x0.7
A030200002	20	M5 x 0.8	10	8	5.5	8	11.5	5	M5 x 0.8	25.5	36	-	36.5	10	40	M10 x 1.25	22	17	M6x1
A030250002	25	M6 x 1	12	12	5.5	10	11	5	M5 x 0.8	28	40	-	39	10	44	M10 x 1.25	22	17	M6x1
A030320002	32	M8 x 1.25	16	13	5.5	14	12.5	8	G1/8	34	45	49.5	46	10	53	M12 x 1.25	24	19	M6x1
A030400002	40	M8 x 1.25	16	13	5.5	14	11.5	8	G1/8	40	52	57	41.5	10	48.5	M12 x 1.25	24	19	M6x1
A030500002	50	M10 x 1.5	20	15	6.6	17	14	10.5	G1/4	50	64	71	47	13	55	M16 x 1.5	32	24	M8x1.25
A030630002	63	M10 x 1.5	20	15	9	17	14	10.5	G1/4	60	77	84	48	16	56	M16 x 1.5	32	24	M10x1.5
A030800002	80	M16 x 2	25	21	11	22	18.5	12.5	G3/8	77	98	104	58.5	19	68.5	M20 x 1.5	40	30	M12x1.75
A031000002	100	M20 x 2.5	30	27	11	27	21	12.5	G3/8	94	117	123.5	62.5	19	73.5	M20 x 1.5	40	30	M12x1.75

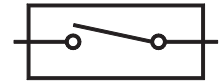
# AIR CYLINDER

## Series A03

Cat No A03 - 01 - 03 - B

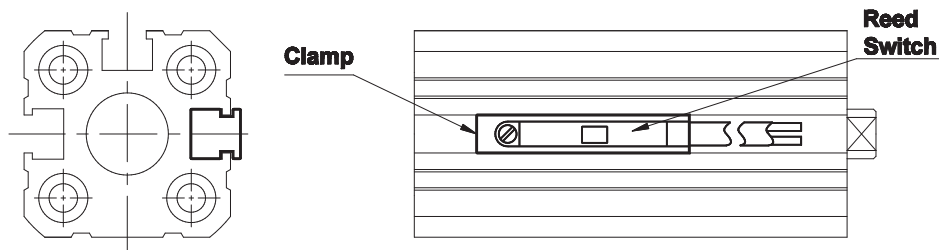
### ACCESSORIES FOR MAGNETIC CYLINDERS Series A03

#### REED SWITCH



#### Function

The reed switch and clamp assembly is mounted on the Air cylinder (Series A03), for proximity sensing. The piston of the cylinder is equipped with a permanent magnet which activates the reed switch on approaching it. The reed switch closes the circuit giving an electrical signal, which could be used further as required. The accuracy of the sensing distance depends on the speed of operation of the piston.

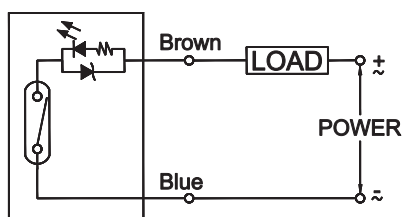


#### Technical Specifications - Reed Switch

Model	<b>AM2012 / AM2032</b>
Suitable cylinder	A03 Series
Operating voltage	5 ~ 120V DC/AC
Switching current	100mA max
Switching rating	6W max.
Voltage drop	3.5V max.
Switching logic	SPST, Normally open
Operating temperature	- 10° to 70° C
Shock	30 G
Vibration	9 G
Type of protection	IEC 60529, IP67
Colour of LED	Red
Cable	Ø2.8, 2C, PVC, 2Meter

Bore Dia	Ordering no. for Reed switch & Clamp
Ø12, Ø16, Ø20, Ø 25	AM2012
Ø32, Ø40, Ø50, Ø63, Ø80, Ø100	AM2032

#### Circuit and connect diagram

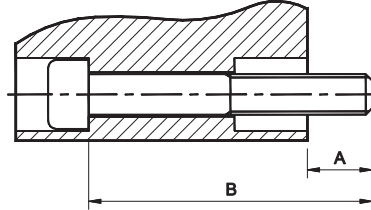


# AIR CYLINDER

## Series A03

Cat No A03 - 01 - 03 - B

### Recommended bolt size for basic mounting



*Ordering no.	A	Bolt size B	*Ordering no.	A	*Bolt size B	Ordering no.	A	*Bolt size B	Ordering no.	A	Bolt size B	Ordering no.	A	Bolt size B
A03 012 005	7	M3 x 40	A03 016 005	6	M3 x 40	A03 020 005	8	M5 x 40	A03 025 005	10,5	M5 x 45	A03 032 005	8,5	M5 x 50
010	7	x 45	010	6	x 45	010	8	x 45	010	10,5	x 50	010	8,5	x 55
015	7	x 50	015	6	x 50	015	8	x 50	015	10,5	x 55	015	8,5	x 60
020	7	x 55	020	6	x 55	020	8	x 55	020	10,5	x 60	020	8,5	x 65
025	7	x 60	025	6	x 60	025	8	x 60	025	10,5	x 65	025	8,5	x 70
030	7	x 65	030	6	x 65	030	8	x 65	030	10,5	x 70	030	8,5	x 75
040	7	x 75	040	6	x 75	040	8	x 75	040	10,5	x 80	040	8,5	x 85
						050	8	x 85	050	10,5	x 90	050	8,5	x 95
												060	8,5	x 105

Ordering no.	A	Bolt size B	Ordering no.	A	Bolt size B	Ordering no.	A	Bolt size B	Ordering no.	A	Bolt size B	Ordering no.	A	Bolt size B
A03 040 005	8	M5 x 45	A03 050 010	9	M6 x 55	A03 063 010	13	M8 x 60	A03 080 010	16	M10 x 70	A03 100 010	17	M10 x 75
010	8	x 50	020	9	x 65	020	13	x 70	020	16	x 80	020	17	x 85
015	8	x 55	030	9	x 75	030	13	x 80	030	16	x 90	030	17	x 95
020	8	x 60	040	9	x 85	040	13	x 90	040	16	x 100	040	17	x 105
025	8	x 65	050	9	x 95	050	13	x 100	050	16	x 110	050	17	x 115
030	8	x 70	060	9	x 105	060	13	x 110	060	16	x 120	060	17	x 125
040	8	x 80	070	9	x 115	070	13	x 120	070	16	x 130	070	17	x 135
050	8	x 90	080	9	x 125	080	13	x 130	080	16	x 140	080	17	x 145
060	8	x 100												

\* For piston Ø12 to Ø25 use only non magnetic Stainless Steel bolt.

### How to order

A03		040		050		O		Optional	
Piston Ø (mm)		Stroke (mm)		Mounting type		M - Male thread			
012	- Ø 12	005	- 5	0	- Basic				
016	- Ø 16	010	- 10		- Counter bore and through hole on both sides				
020	- Ø 20	015	- 15	1	- Counter bore and thread on both sides				
025	- Ø 25	020	- 20	2	- Thread on both sides				
032	- Ø 32	025	- 25						
040	- Ø 40	030	- 30						
050	- Ø 50	040	- 40						
063	- Ø 63	050	- 50						
080	- Ø 80	060	- 60						
100	- Ø 100	070	- 70						
		080	- 80						

### Example:

Ordering no. for cylinder with 40 dia bore, 50 mm stroke with Female thread : **A03 040 050 O**

Ordering no. for cylinder with 40 dia bore, 50 mm stroke with Male thread : **A03 040 050 O - M**

Ordering no. for cylinder with 40 dia bore, 50 mm stroke, thread on both sides with Male thread : **A03 040 050 2 - M**

For your special requirements of cylinders or for further informations contact your regional dealer or **JANATICS**

Subject to change